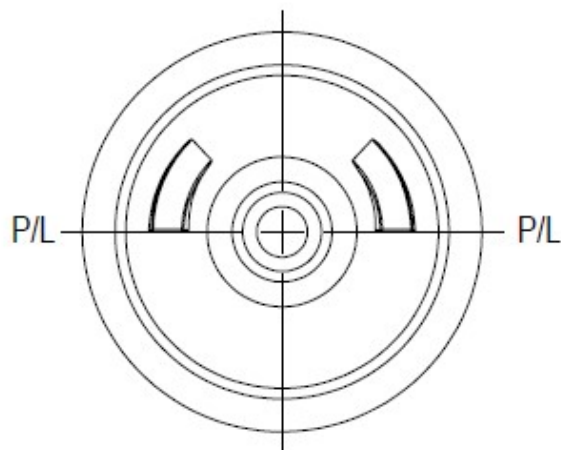


AVAILABLE:

1. SKU#100160, AMBER (11-20-39772)
2. SKU#100165, CLEAR
3. SKU#100214, WHITE

THIS DRAWING CONTAINS PROPRIETARY INFORMATION  
NEITHER THIS DRAWING OR ITS CONTENTS  
REPRODUCED IN ANY FORM, FOR ANY PURPOSE, UNLESS WRITTEN  
IS GIVEN



BOTTLE SPECIFICATIONS		
MATERIAL: PETE	FILL CAPACITY:	118ML ±5ML
WEIGHT: 15g±1g	OVERFLOW CAPACITY:	136ML ±5ML
DWN. BY: Y.F.	DATE: 22/08/11	DESCRIPTION: 4 OZ BOSTON RO
APR. BY:	DATE:	DRAWING NO: CPG-1122-A-V01-
SCALE: 1:1		