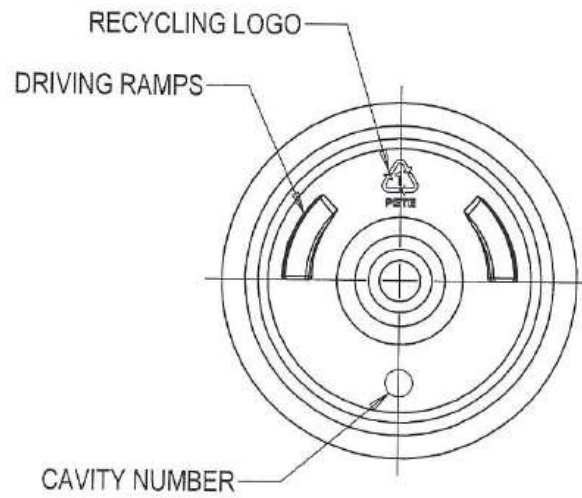
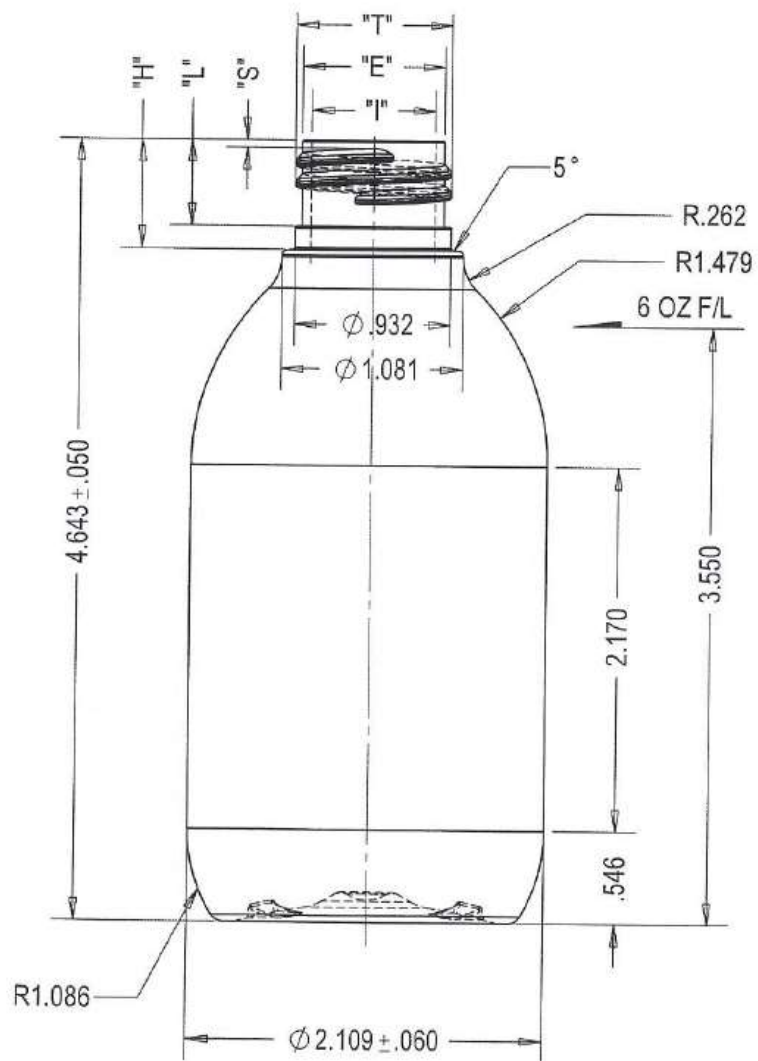


NECK FINISH	"I"	"E"	"H"	"L"	"S"	"T"	HELIX ANG.	CUTTER DIA.	T.P.I	PITCH	THREAD TURNS
M24 SP410(SPECIAL)	.932±.008	.848±.008	.675±.015	.512MIN	.046±.015	.732	2°34'	.375	8	.125	2

NO.	REV. BY	DESCRIPTION	DATE
△	Y.F.	WAS 22GM ± 1GM.	JUL 20/10
△	Y.F.	"H".875 WAS .646	MAY16/15



BME REF. #: C75-4129-1-1A



NOTE:

1. SKU# 100047, AMBER
2. CKU# 100081, CLEAR

BOTTLE SPECIFICATIONS		
MATERIAL: PETE	FILL CAPACITY:	177ML ± 6ML
WEIGHT: 20g ± 1g △	OVERFLOW CAPACITY:	192ML ± 6ML
DWN. BY: Y.F.	DATE: 05/16/15	DESCRIPTION: 180ML/6oz APOTHECARY
APR. BY:	DATE:	DRAWING NO: CPG-1057-A-V01-R03
SCALE: 1:1		