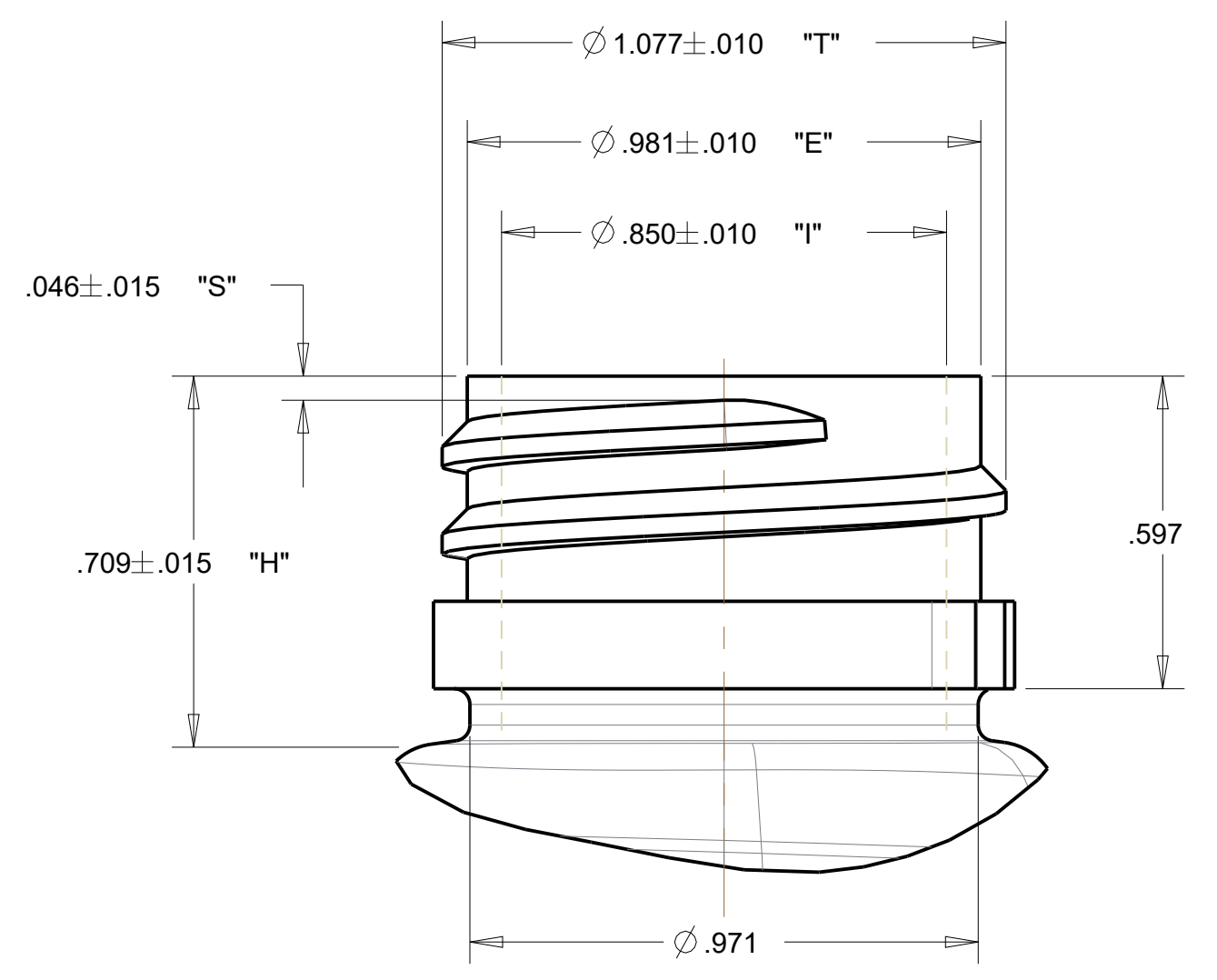
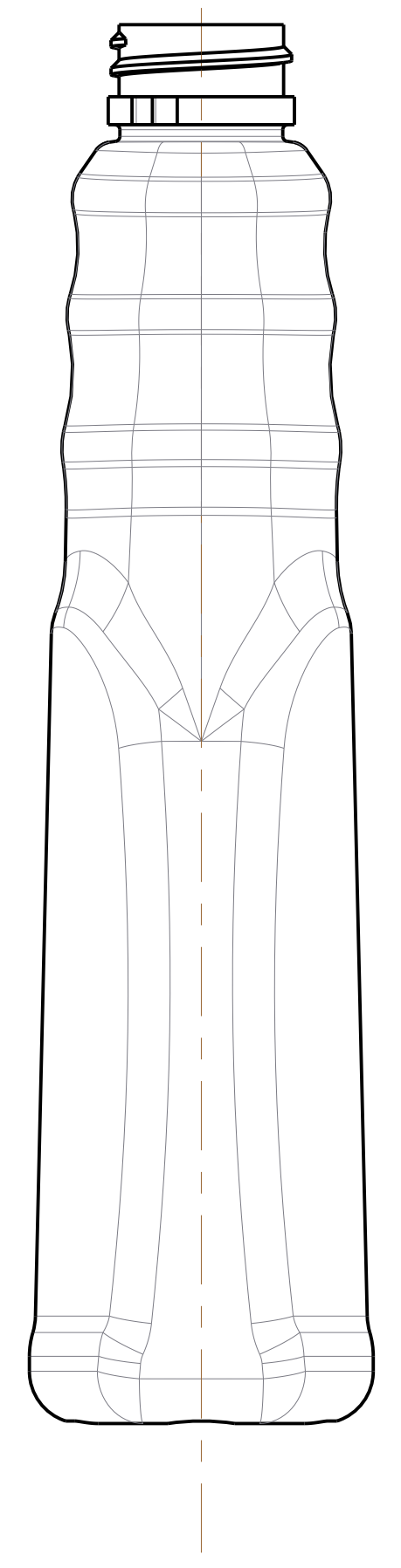
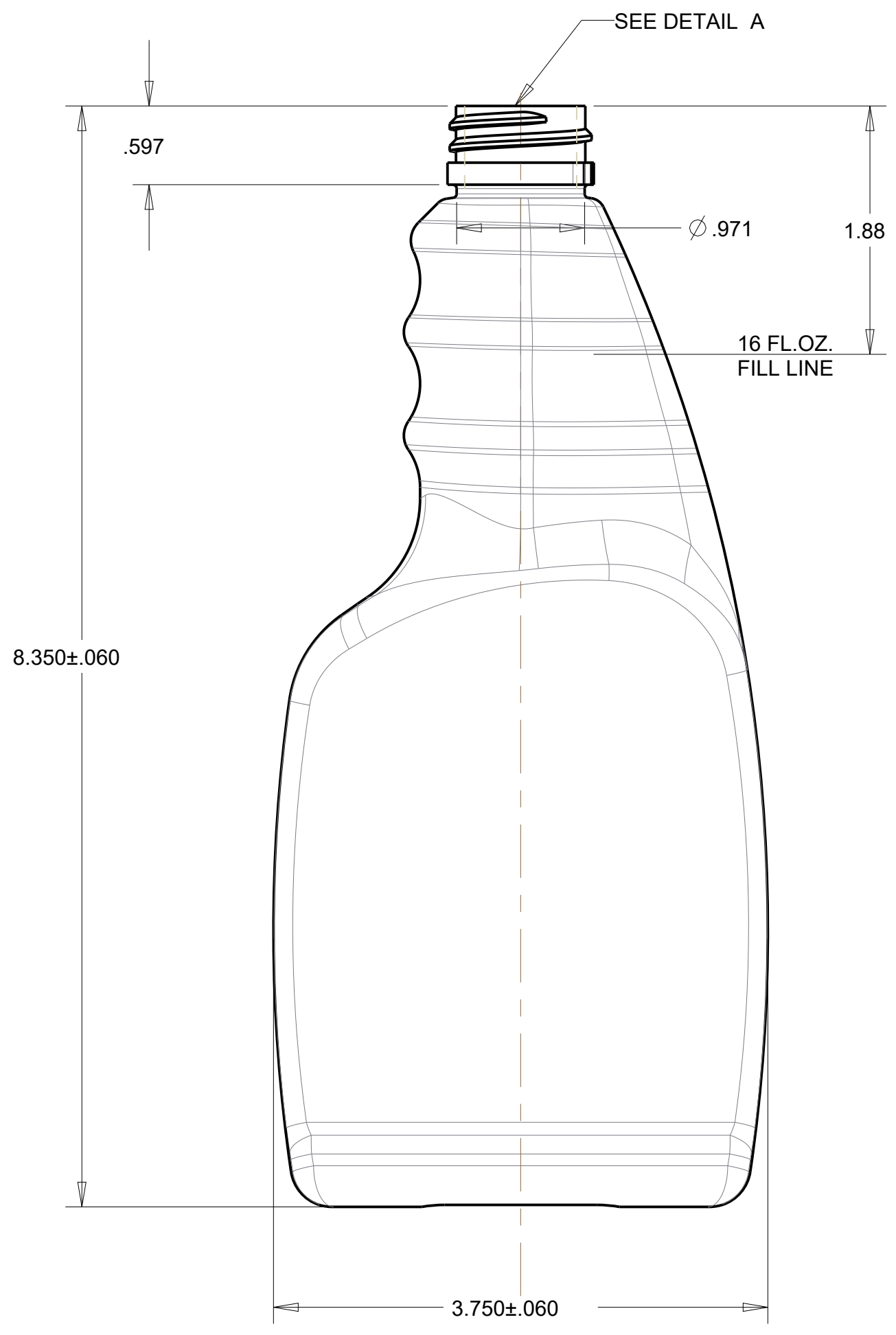
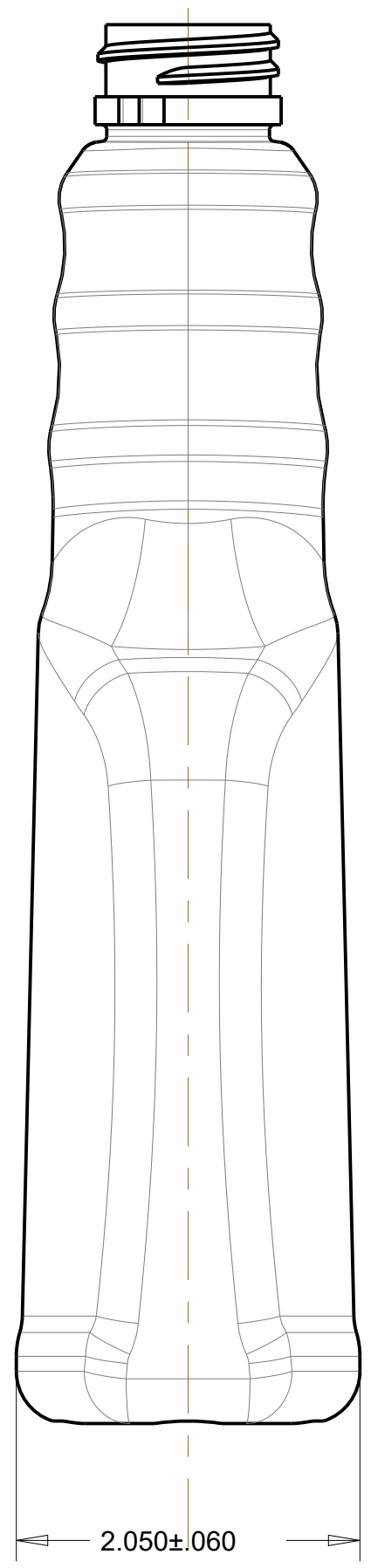
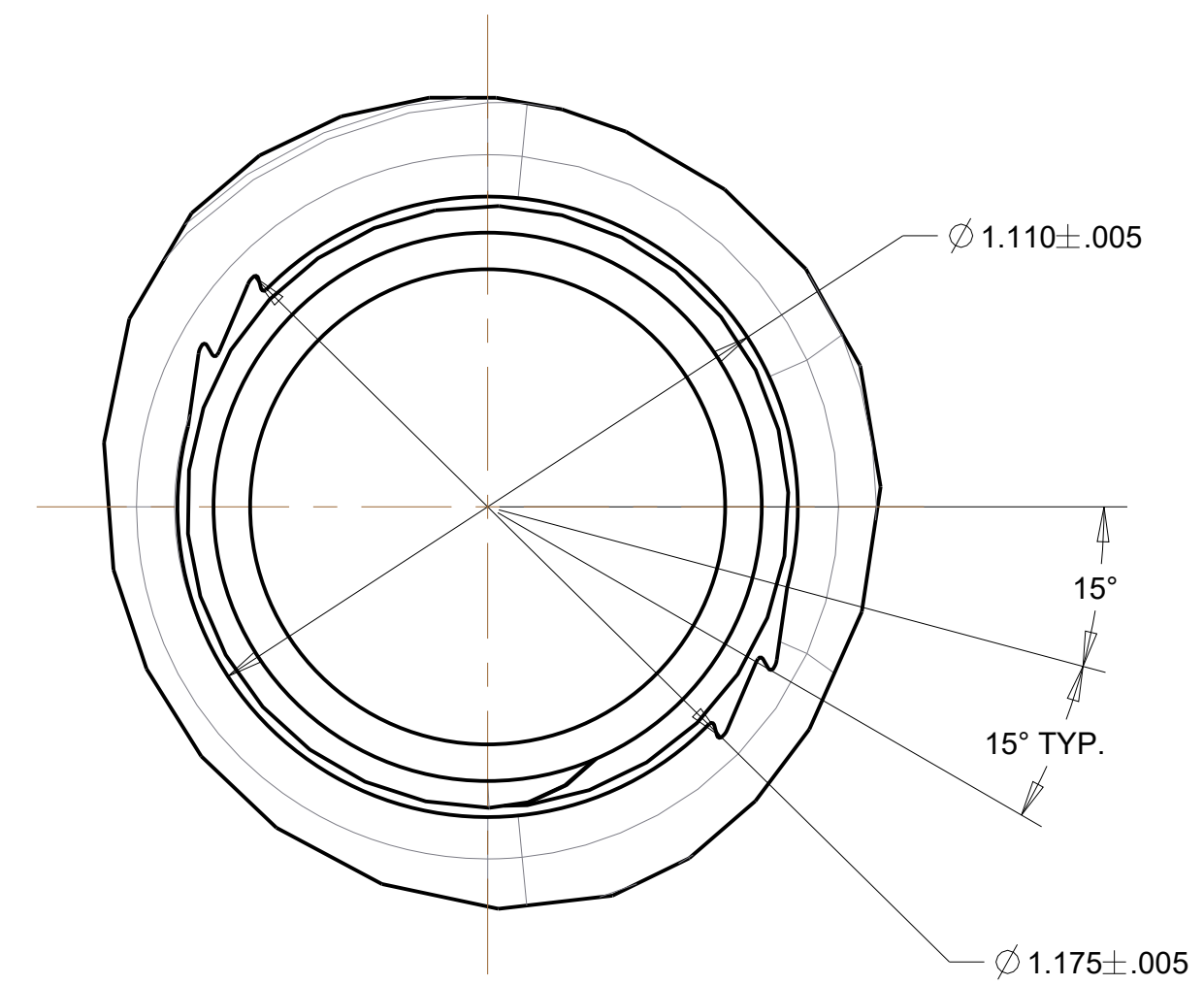
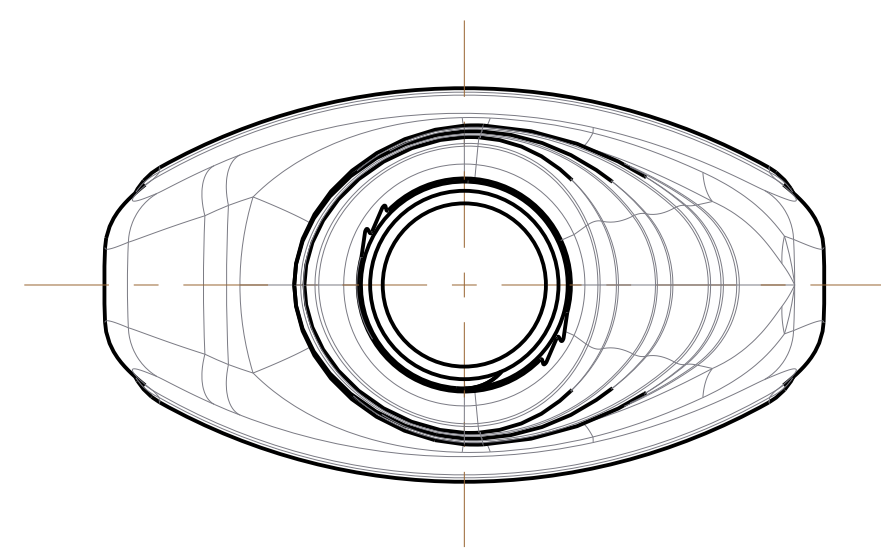
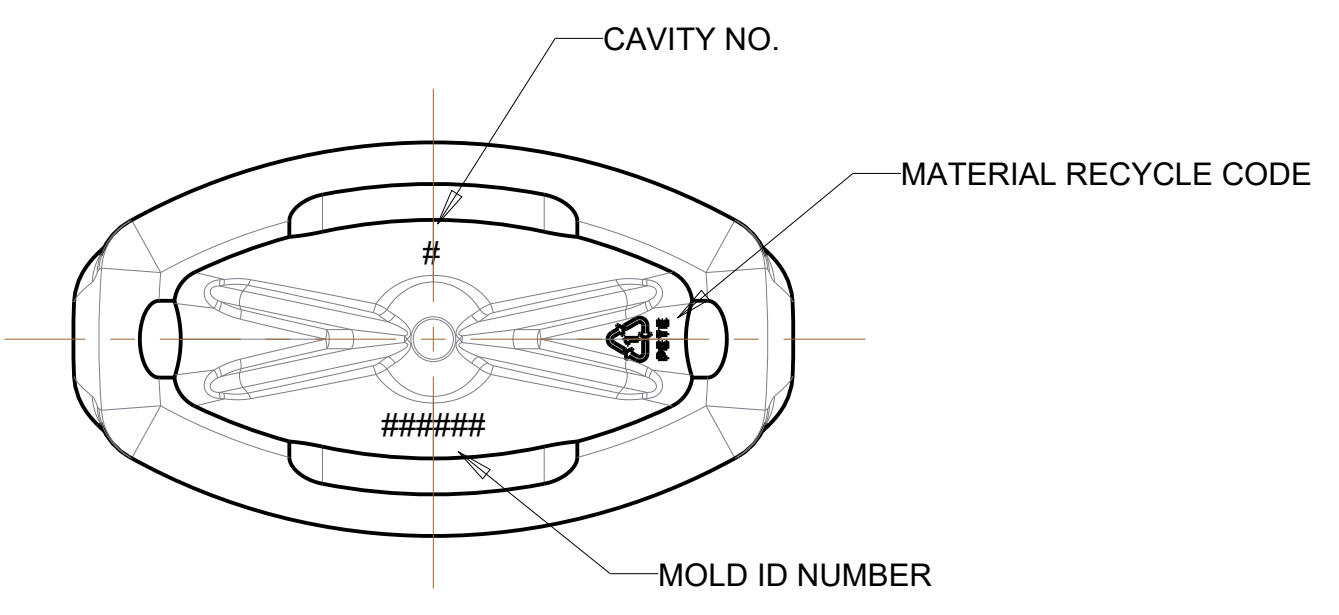


DATE	SYM	REVISION RECORD	AUTH	DR	CK



DETAIL A
SCALE 3.000
28MM RATCHET NECK FINISH
6 THREADS PER INCH
PITCH- .167
1-1/4 FULL TURNS OF THREAD



- NOTES:
1. WEIGHT - 31 ± 1.5 GRAMS
 2. OVERFLOW CAPACITY - 519.4 ± 11 ML
 3. 28MM RATCHET NECK FINISH
 4. MATERIAL- PETE
 5. HALF LENTGH- 9.930

TOLERANCES (EXCEPT AS NOTED)				
DECIMAL	MATERIAL	SCALE	DRAWN BY	
	PETE	FULL	KSN	
FRACTIONAL	TITLE	APPROVED BY		MOLD NO.
	16 OZ. STOCK SPRAYER			
ANGULAR	DATE	DRAWING NUMBER	REVISION	
	6/27/22	SS-1651-OS		